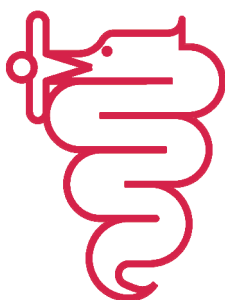


BZ10



BEZZERA

Dal 1901

COD. 9942047.04

REV.00

TABLE 1

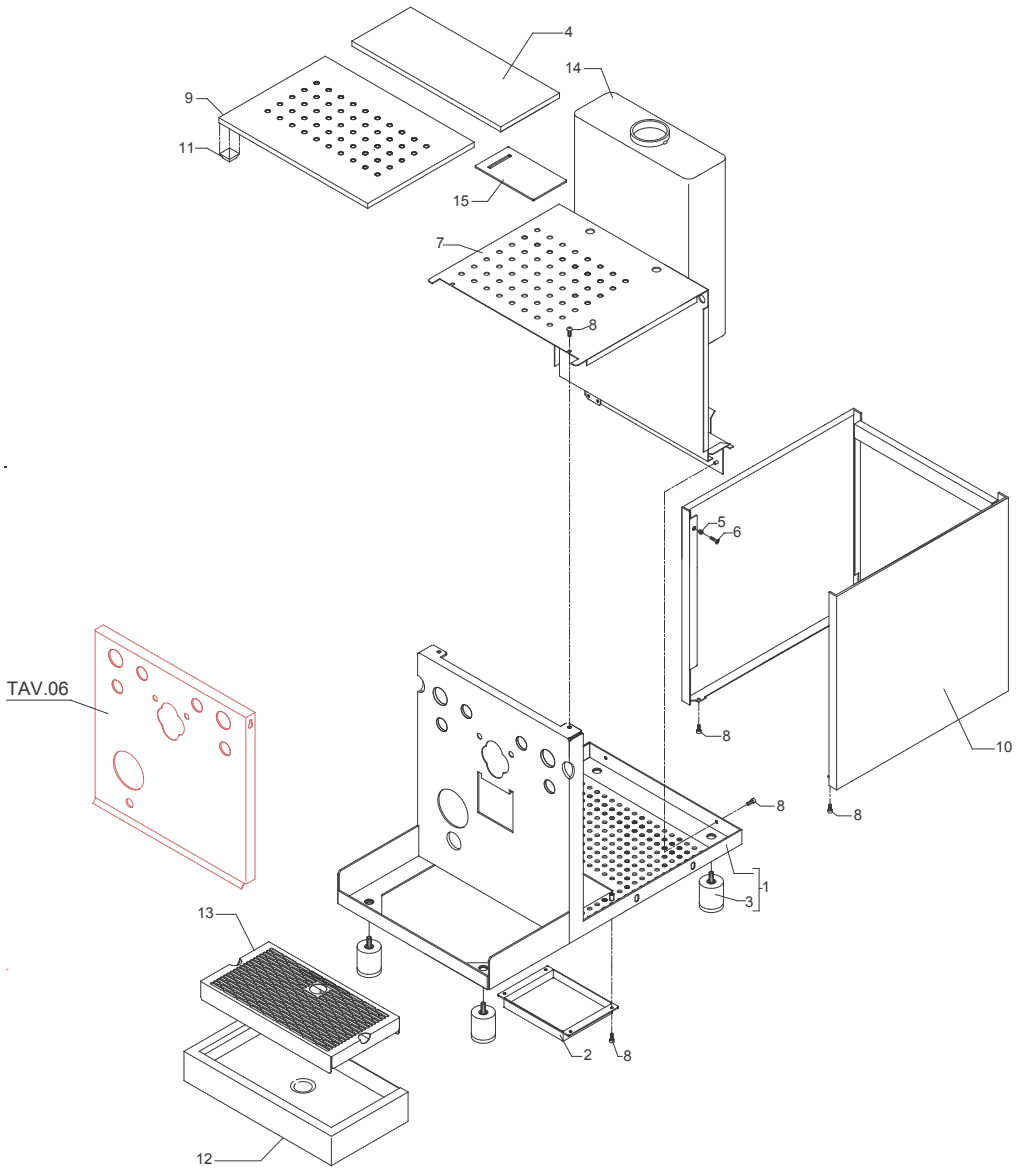


TABLE 2 (up to 18.03.13)

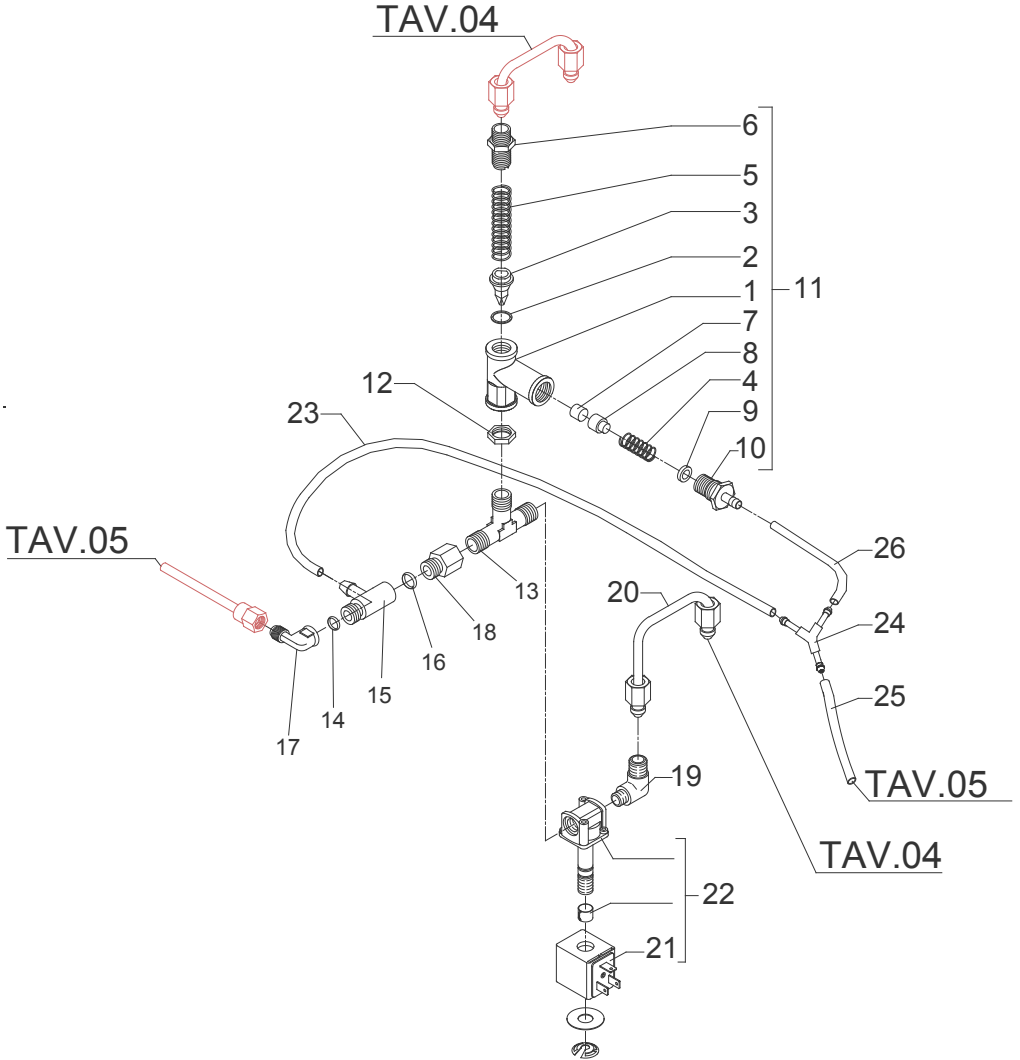
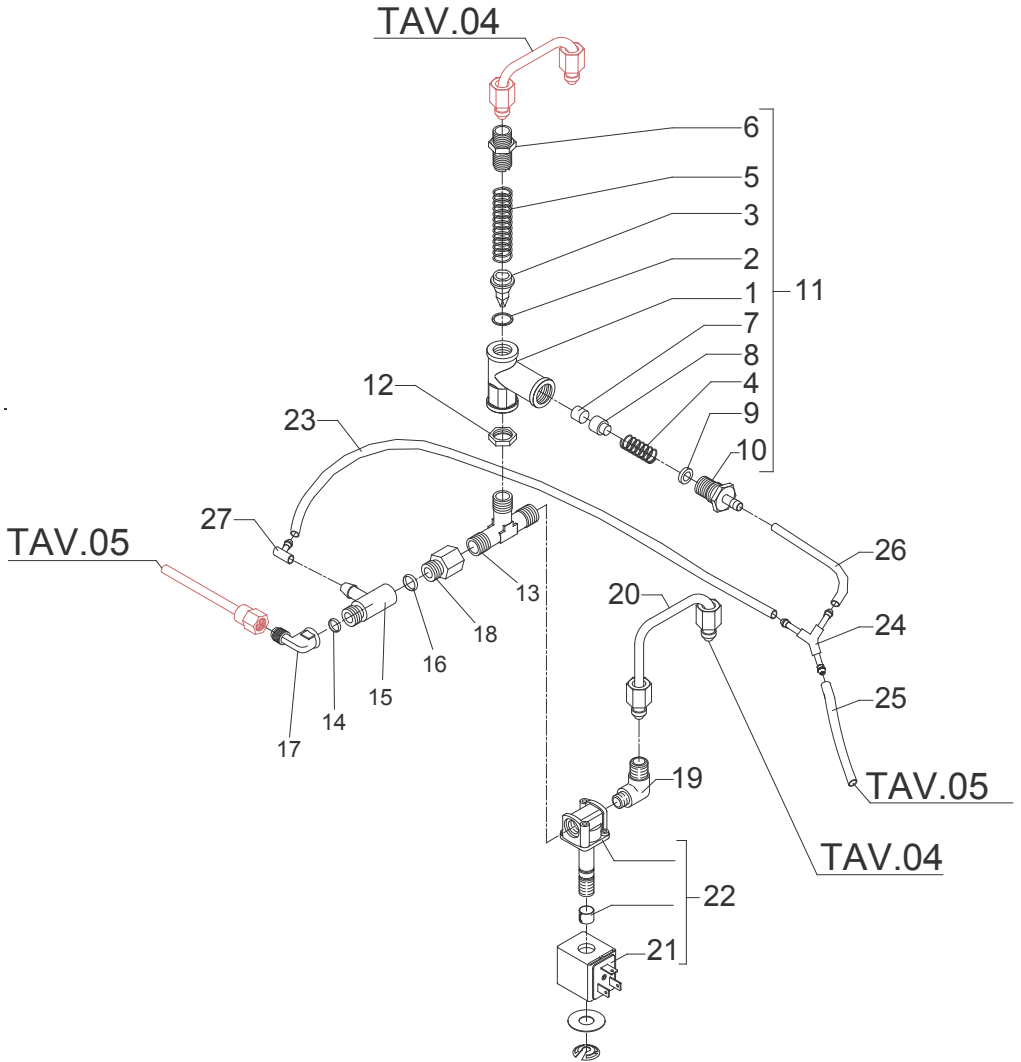


TABLE 2 (from 19.03.13)



| POS | CODE | DESCRIPTION |
|------------|--------------|---|
| 1 | 7371511.01 | LEVER KNOB |
| 2 | 5222823CM | RING NUT 3/8"G H17 |
| 3 | 5225608 | ARTICULATION M8 INOX |
| 4 | 5260203DL | SHAFT D12X47 |
| 5 | 5471513 | SPRING |
| 6 | 5261801 | WASHER D11 |
| 7 | 5494004 | GASKET D12 X 6 PTFE GRAPHITIZED |
| 8 | 5221826CM | NUT 3/8"G ES.22X5 |
| 9 | 5283047TW | TAP BODY OT |
| 10 | 5496042 | GASKET D11X4X4 EPT 70 (C6) |
| 11 | 5224603TP | GASKET-HOLDER |
| 12 | 5964084AL | ASSEMBLY TAP |
| 13 | 5225410TP | FITTING M14XM13 H26 |
| 14 | 5966548AL | ASSEMBLY WATER HOSE |
| 15 | 7496072 | OR GASKET 121 |
| 16 | 5471532 | SPRING |
| 17 | 5190501 | COMPLETE CUP |
| 18 | 5221872TW | NUT 3/8"G |
| 19 | 7496073 | OR GASKET 115 EP856 |
| 20 | 5225607TW | WATER HOSE CHROMED |
| 21 | 7496003 | OR GASKET 108 VITON |
| 22 | 5226610TW | WATER HOSE TERMINAL D23.5X18 OT CHROMED |
| 23 | 5493003 | GASKET D20.5X15 H1.5 NBR 70SH |
| 24 | 5226601TW | WATER HOSE TERMINAL M22 CHROMED |
| 25 | 7479958 | ASSEMBLY STEAM HOSE TERMINAL 4 HOLES |
| 26 | 7371003 | INSULATING |
| 27 | 7496083 | OR GASKET D4.5X1.5 NBR 70 |
| 28 | 7305010 | TERMINAL 4 HOLES |
| 29 | 7305013 | TERMINAL 2 HOLES |
| 30 | 7479975 | ASSEMBLY STEAM HOSE TERMINAL 2 HOLES |
| 31 | 5221872TW | NUT 3/8"G |
| 32 | 7496073 | OR GASKET 115 EP856 |
| 33 | 5963098.01 | ASSEMBLY HEATING ELEMENT 220/240V |
| 33 | 5963097.01 | ASSEMBLY HEATING ELEMENT 110V |
| 34 | 5221863CM | CAP NUT M8 CHROMED |
| 35 | 7816014 | SCREW M8X20 UNI5931 A2 |
| 36 | 7816001 | SCREW TCEI M5X12 UNI5931 A2 |
| 37 | 5283046TW | DELIVERY GROUP BODY |
| 38 | 7496004 | OR GASKET 139 |
| 39 | 5280502TW | COUPLING RING OT CHROMED |
| 40 | 7493016 | GASKET H 9,3 NBR 75SH |
| 41 | 5285501TP | SHOWER-HOLDER D57 |
| 42 | 5470501 | SHOWER D57 AISI 304 |
| 43 | 7817001 | SCREW TPS M5X16 A2 |
| 44 | 5963548.01AL | ASSEMBLY DELIVERY GROUP |
| 45 | 7634808 | THERMIC SAFETY DEVICE 250V 95°C AUTOMATIC |

TABLE 3 (up to 28.01.14)

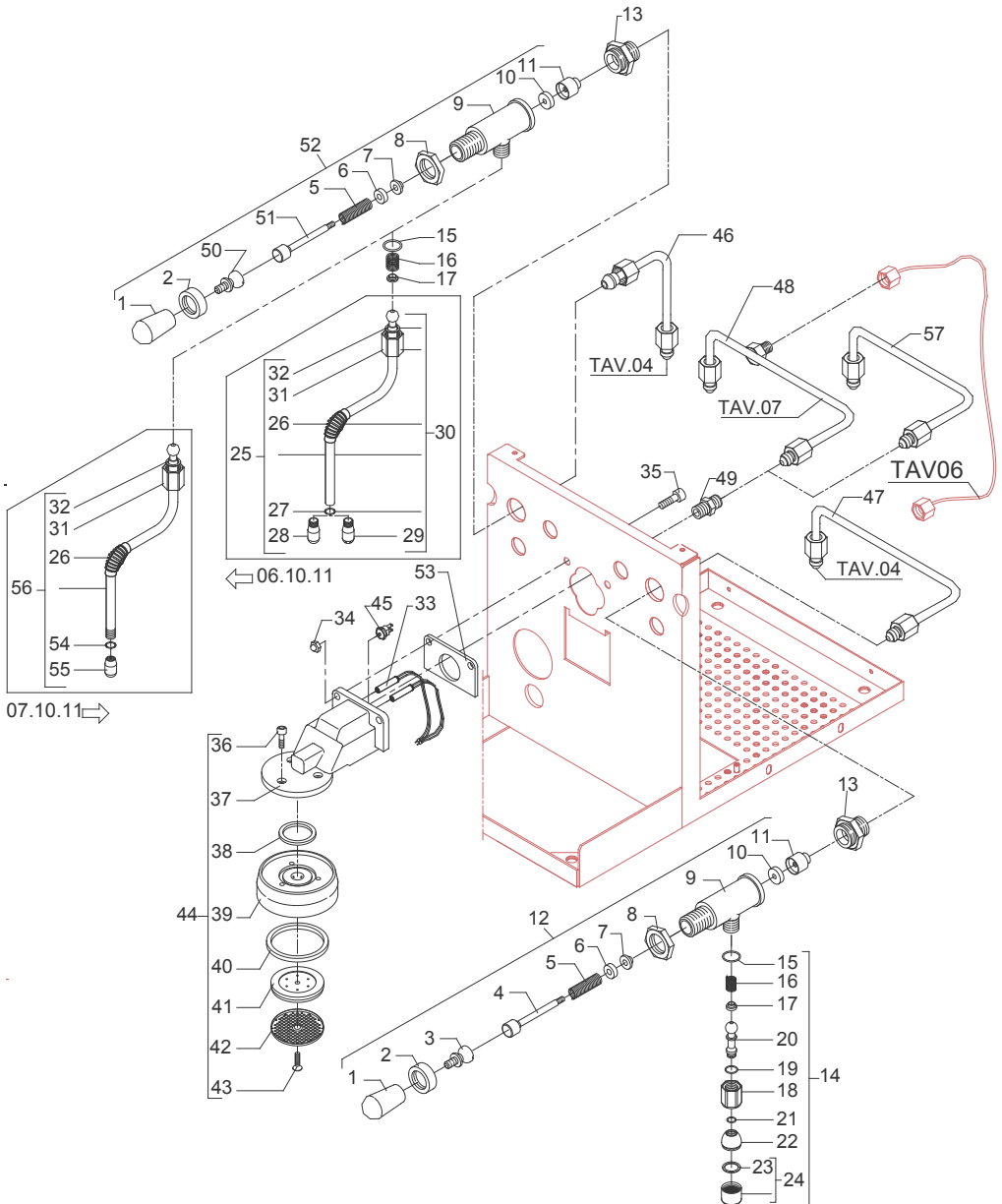


TABLE 3 (up to 28.01.14)

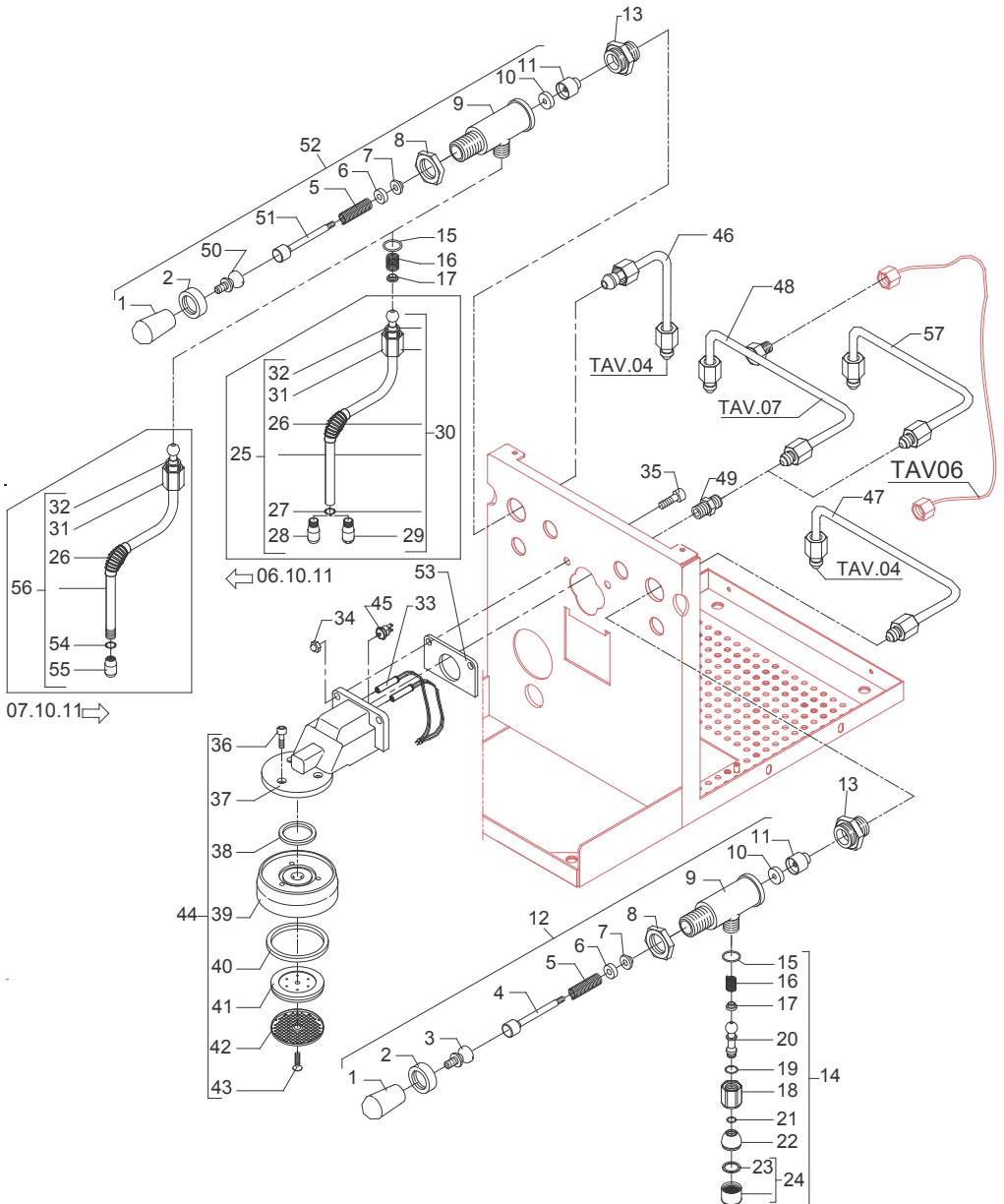


TABLE 3 (from 29.01.14)

| POS | CODE | DESCRIPTION |
|------------|--------------|---|
| 1 | 7371511.01 | LEVER KNOB |
| 2 | 5222823CM | RING NUT 3/8" G H17 |
| 3 | 5225608 | ARTICULATION M8 INOX |
| 4 | 5260203DL | SHAFT D12X47 |
| 5 | 5471513 | SPRING |
| 6 | 5261801 | WASHER D11 |
| 7 | 5494004 | GASKET D12 X 6 PTFE GRAPHITIZED |
| 8 | 5221826CM | NUT 3/8" G ES.22X5 |
| 9 | 5283055TW | TAP BODY OT FOR OR |
| 10 | 5496042 | GASKET D11X4X4 EPT 70 (C6) |
| 11 | 5224603TP | GASKET-HOLDER |
| 12 | 5964084.01AL | ASSEMBLY TAP WITH OR |
| 14 | 5966548AL | ASSEMBLY WATER HOSE |
| 15 | 7496072 | OR GASKET 121 |
| 16 | 5471532 | SPRING |
| 17 | 5190501 | COMPLETE CUP |
| 18 | 5221872TW | NUT 3/8" G |
| 19 | 7496073 | OR GASKET 115 EP856 |
| 20 | 5225607TW | WATER HOSE CHROMED |
| 21 | 7496003 | OR GASKET 108 VITON |
| 22 | 5226610TW | WATER HOSE TERMINAL D23.5X18 OT CHROMED |
| 23 | 5493003 | GASKET D20.5X15 H1.5 NBR 70SH |
| 24 | 5226601TW | WATER HOSE TERMINAL M22 CHROMED |
| 33 | 5963098.01 | ASSEMBLY HEATING ELEMENT 220/240V |
| 33 | 5963097.01 | ASSEMBLY HEATING ELEMENT 110V |
| 34 | 5221863CM | CAP NUT M8 CHROMED |
| 35 | 7816014 | SCREW M8X20 UNI5931 A2 |
| 36 | 7816001 | SCREW TCEI M5X12 UNI5931 A2 |
| 37 | 5283046TW | DELIVERY GROUP BODY |
| 38 | 7496004 | OR GASKET 139 |
| 39 | 5280502TW | COUPLING RING OT CHROMED |
| 40 | 7493016 | GASKET H 9,3 NBR 75SH |
| 41 | 5285501TP | SHOWER-HOLDER D57 |
| 42 | 5470501 | SHOWER D57 AISI 304 |
| 43 | 7817001 | SCREW TPS M5X16 A2 |
| 44 | 5963548.01AL | ASSEMBLY DELIVERY GROUP |
| 45 | 7634808 | THERMIC SAFETY DEVICE 250V 95°C AUTOMATIC |
| 46 | 5162301LL | STEAM TAP HOSE |
| 47 | 5162310LL | WATER TAP HOSE |
| 49 | 7304502TR | STRAIGHT FITTING 1/8" G |
| 50 | 5225610 | ARTICULATION M8 INOX |
| 51 | 5260204DL | SHAFT D12X47 |
| 52 | 5964085.01AL | ASSEMBLY TAP WITH OR |
| 53 | 7493013 | INSULATING |
| 54 | 7496084 | GASKET |
| 55 | 7305014 | TERMINAL 2 HOLES |

TABLE 3 (from 29.01.14)

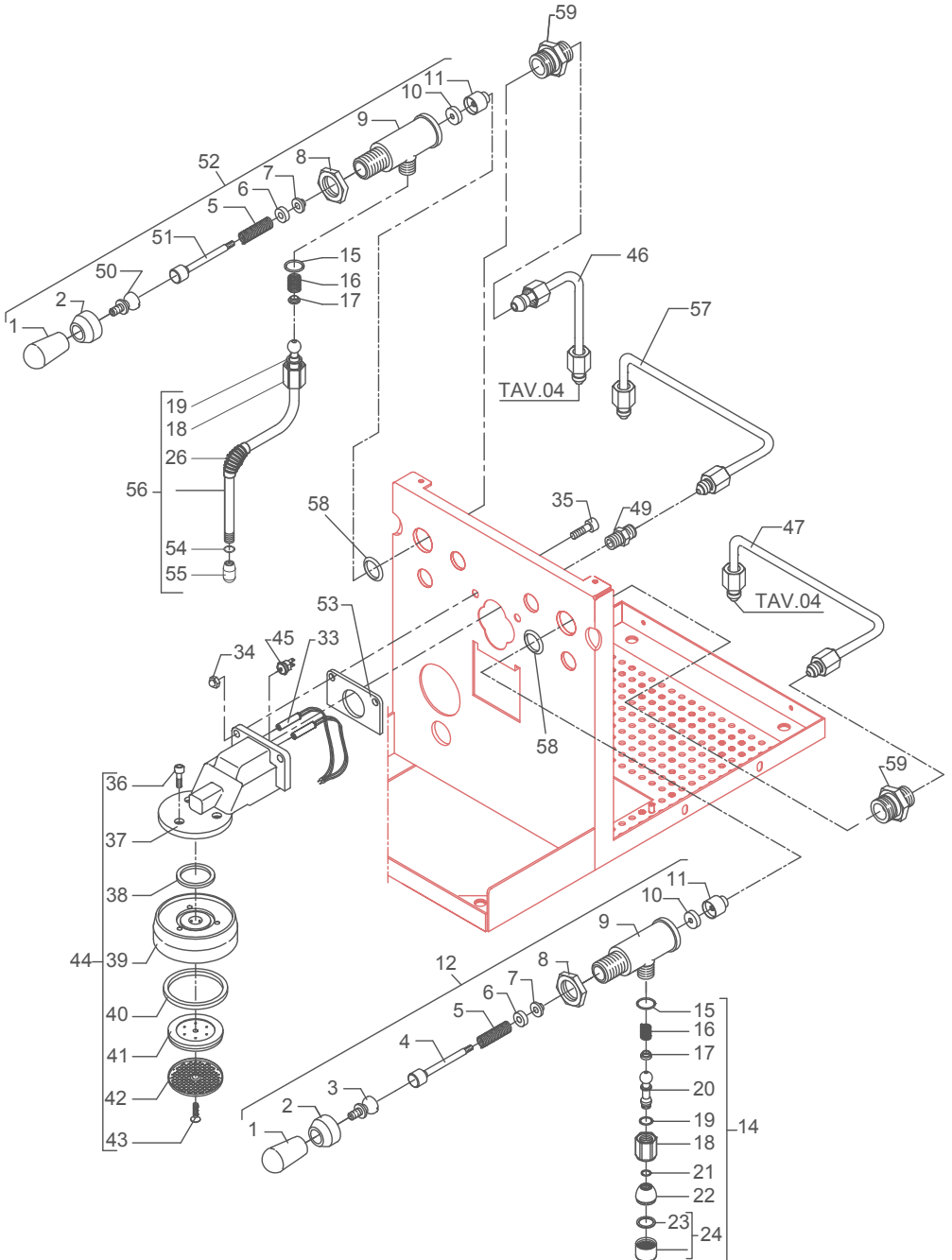


TABLE 3 (from 29.01.14)

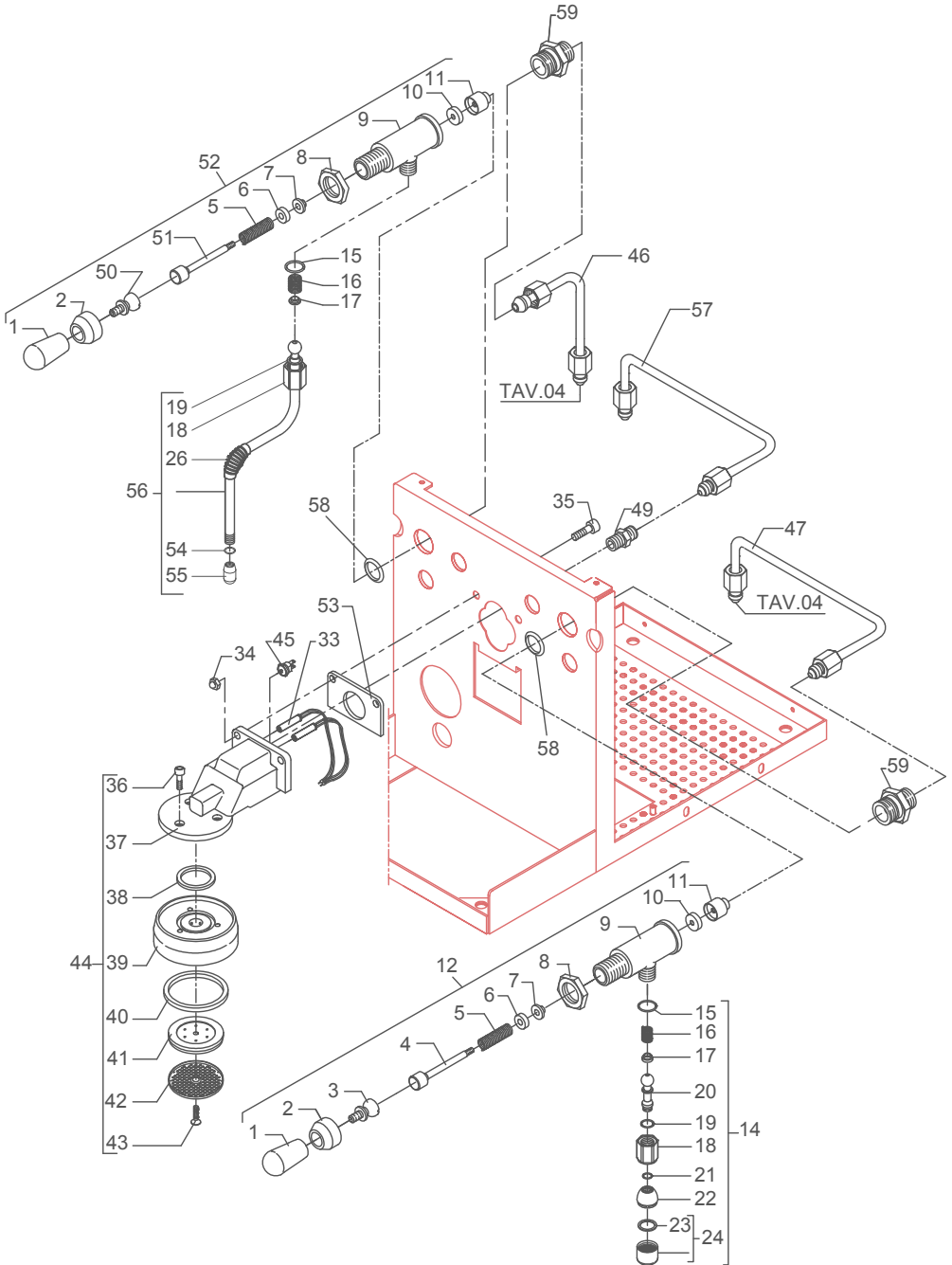


TABLE 4A

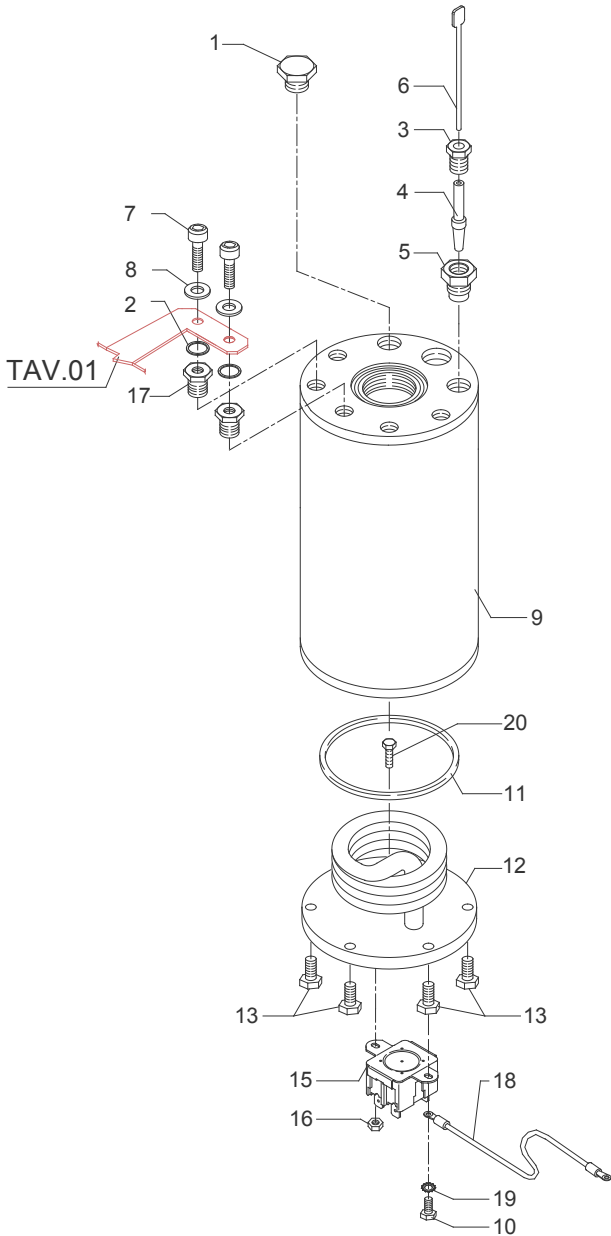


TABLE 5

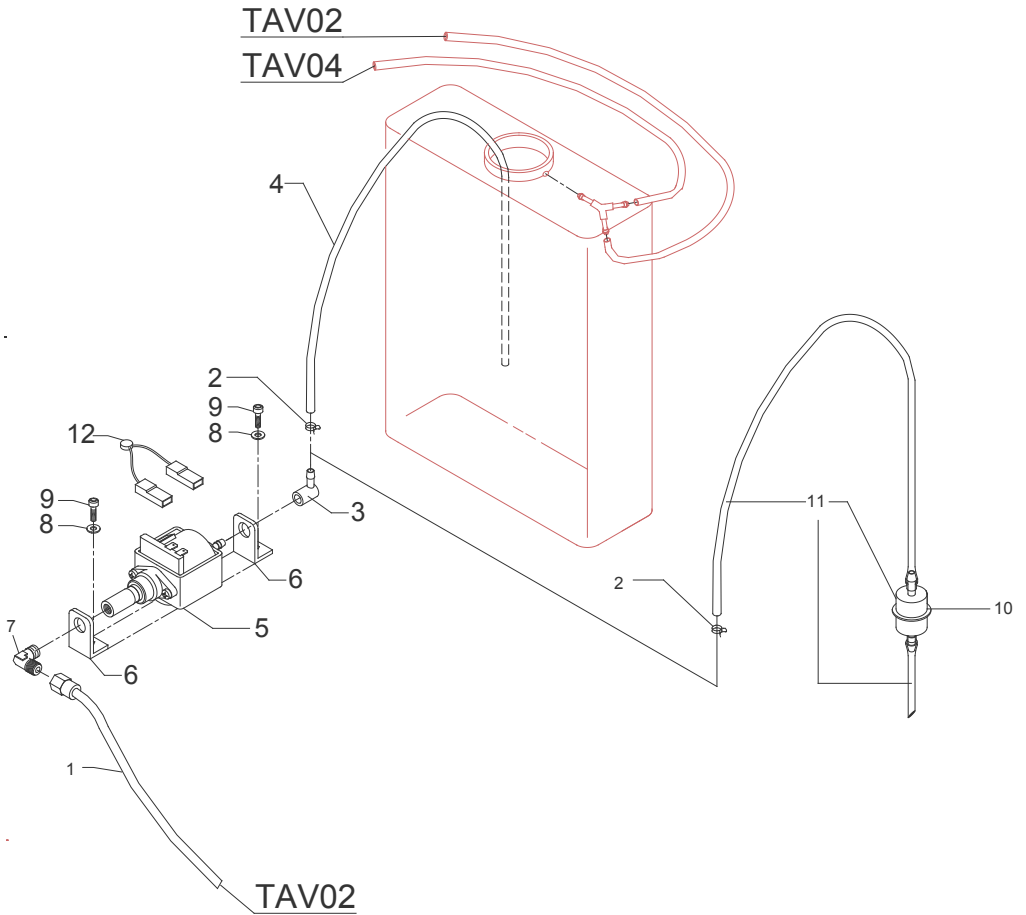


TABLE 6

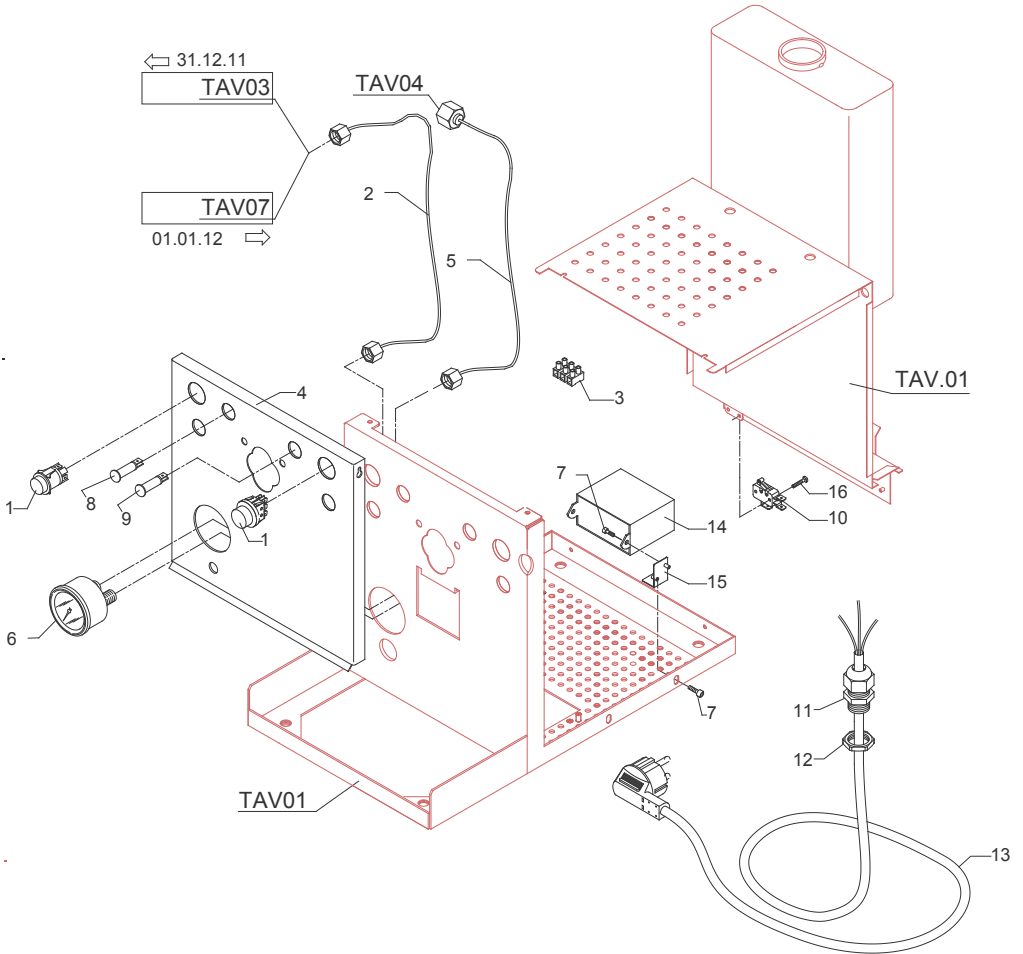


TABLE 7 (up to 31.12.11)

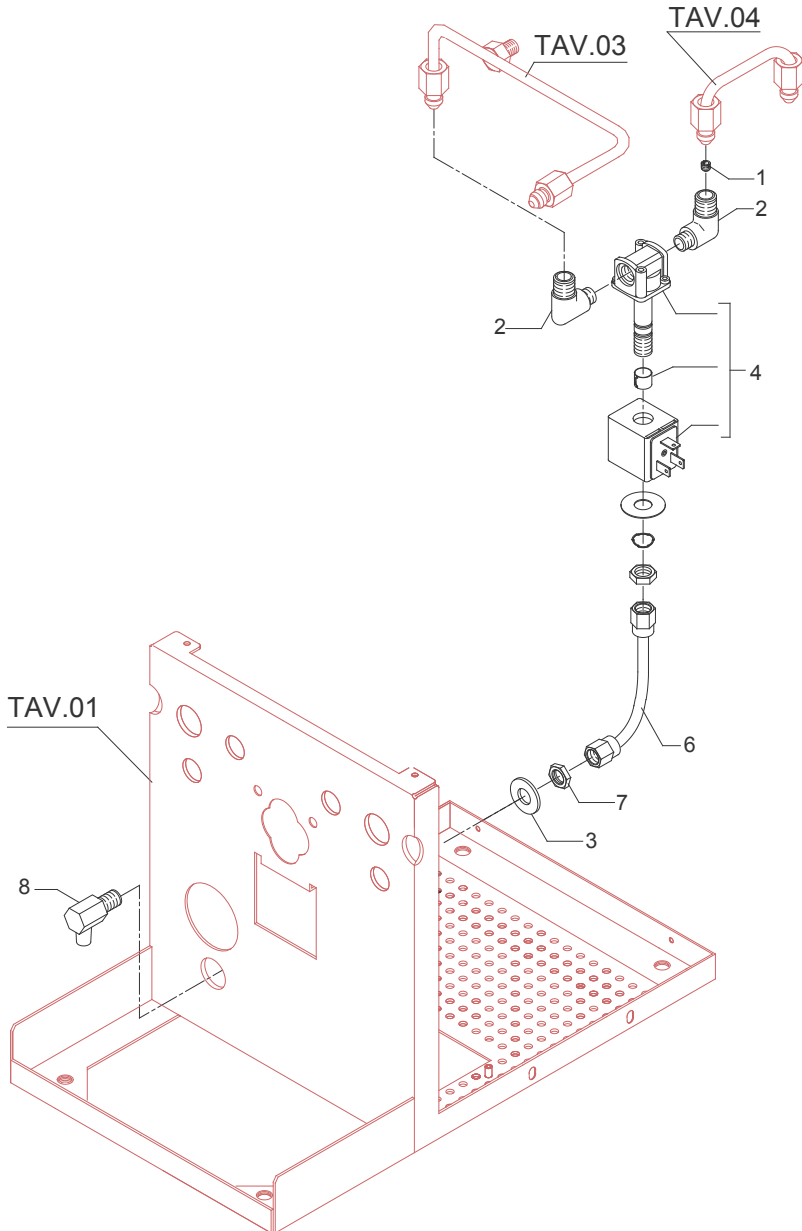


TABLE 7 (up to 01.04.13)

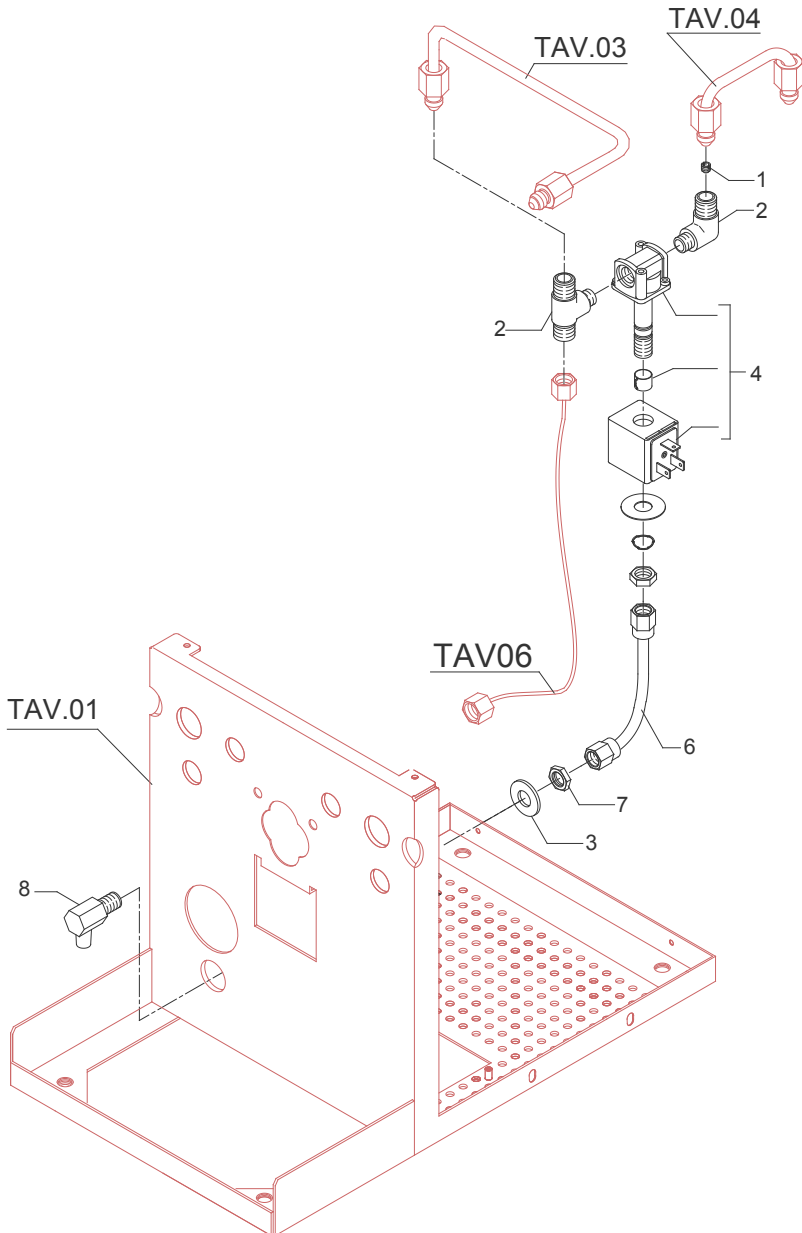


TABLE 7 (from 02.04.13)

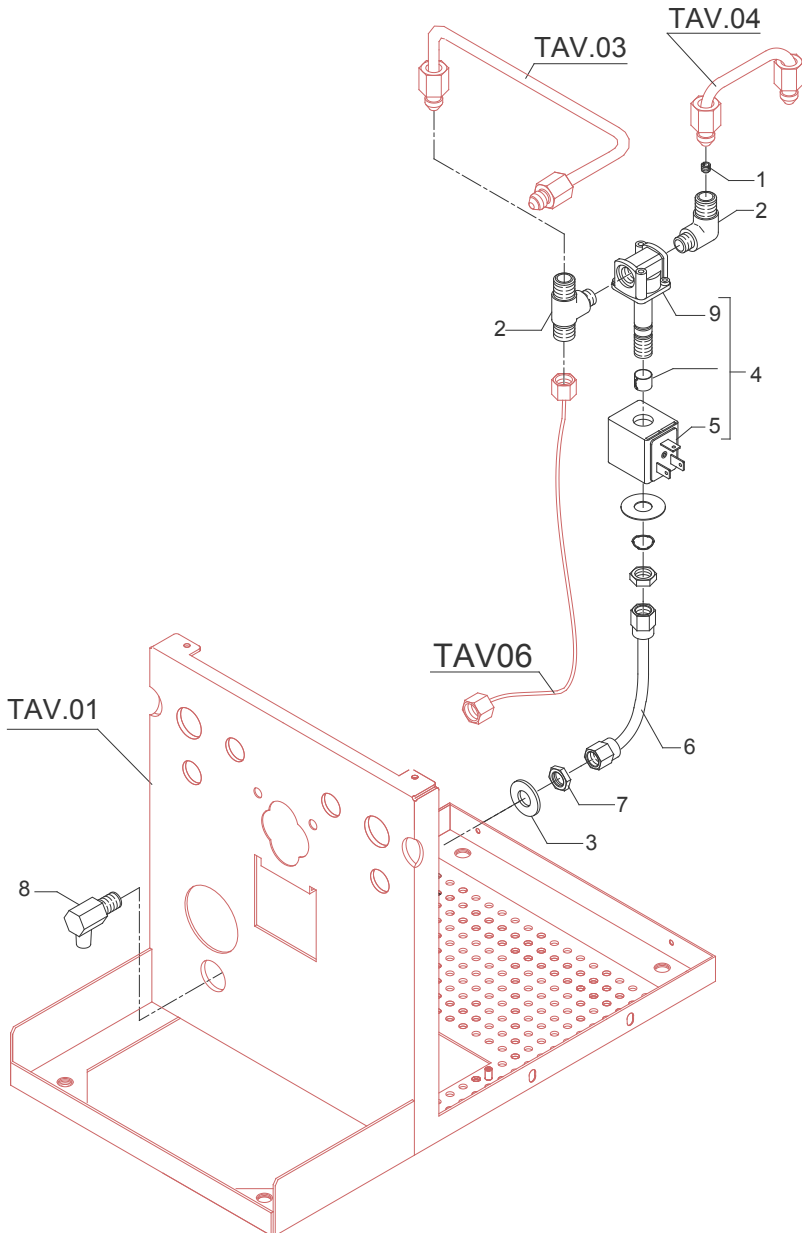
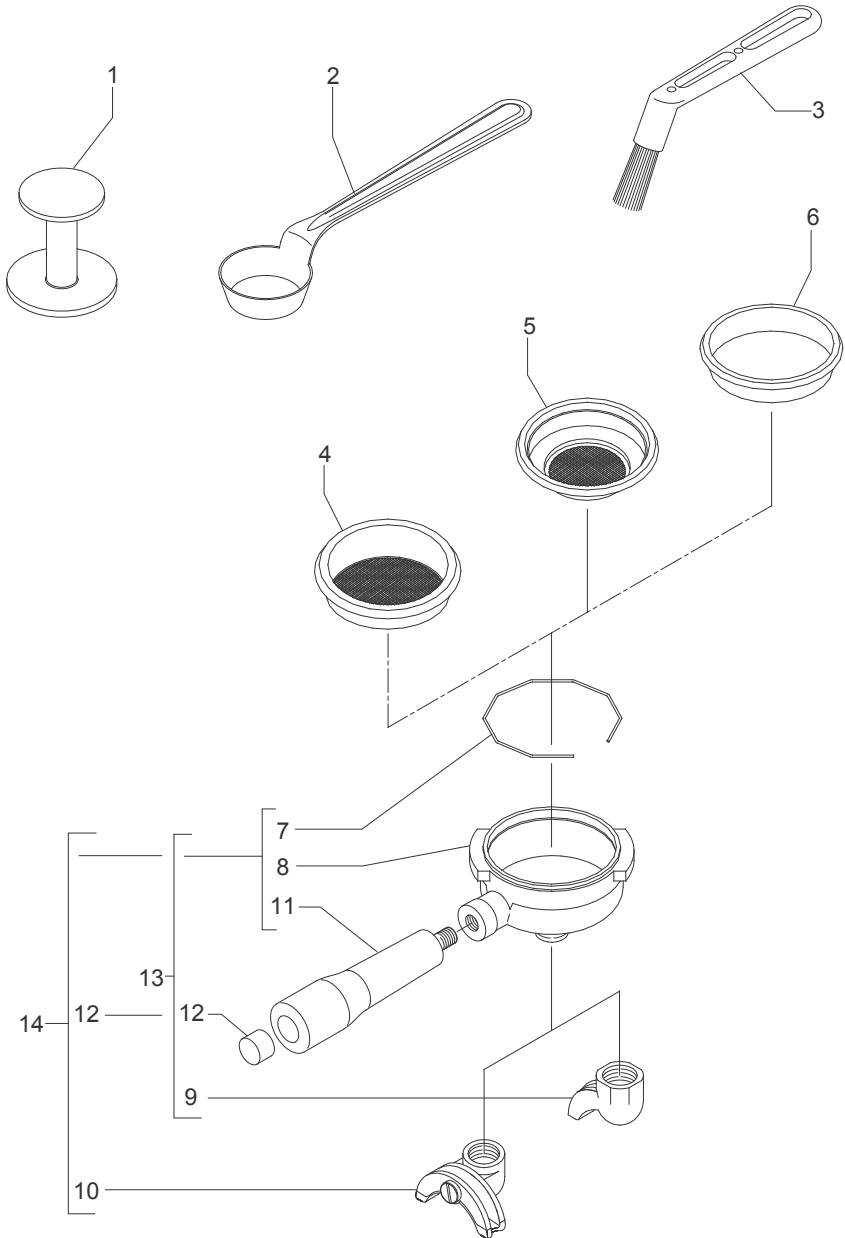


TABLE 8





BEZZERA

Dal 1901

G.BEZZERA

MACCHINE PER CAFFE' ESPRESSO

Via Luigi Bezzera,1

20088 Rosate - Milano - Italy

Tel. ++39 02 90848102 r.a. - Telefax ++39 02 90870287

Web: www.g.bezzera.it

e-mail: commerciale@bezzera.it